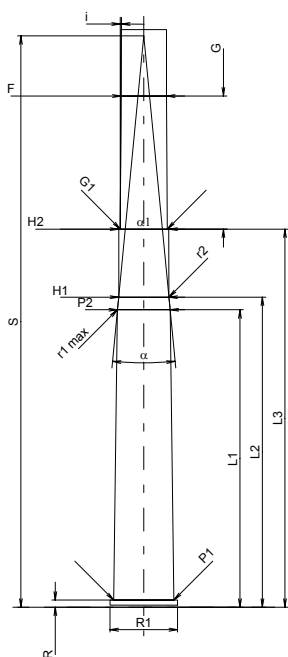
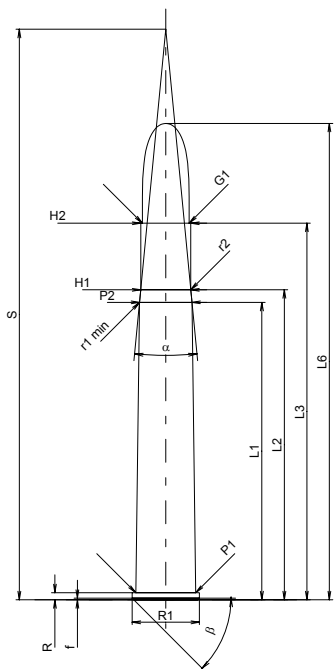


C.I.P.

9,3 x 74 R

TAB. II
Date 84-06-14

Country of Origin: DE

Revision 02-05-15


Scale 1:1.5

CARTRIDGE MAXI
Lengths

| | | |
|------------------|---|-------|
| L1 ⁺ | = | 59.00 |
| L2 ⁺ | = | 61.50 |
| L3 ¹⁾ | = | 74.70 |
| L4 | = | |
| L5 | = | |
| L6 | = | 94.50 |

Case Head

| | | | |
|-----------------|---|-------|-------|
| R ¹⁾ | = | 1.40 | -0.25 |
| R1 | = | 13.35 | |
| R3 | = | | |
| E | = | | |
| E1 | = | | |
| e min | = | | |
| δ | = | | |
| f | = | 0.30 | |
| β | = | 45° | |

Powder Chamber

| | | |
|-----------------|---|-------|
| P1 | = | 11.90 |
| P2 ⁺ | = | 10.40 |

Junction Cone

| | | |
|--------|---|--------|
| α | = | 10°58' |
| S | = | 113.17 |
| r1 min | = | 0.50 |
| r2 | = | 0.50 |

Collar

| | | |
|------------------|---|------|
| H1 ⁺ | = | 9.92 |
| H2 ¹⁾ | = | 9.92 |

Projectile

| | | |
|--------------------|---|--------|
| G1 ¹⁾ | = | 9.30 |
| G2 | = | |
| F | = | |
| L3+G ¹⁾ | = | 101.10 |

Pressures (Energies)
Method Transducer

| | | |
|------|---|------------|
| Pmax | = | 3400 bar |
| PK | = | 3910 bar |
| PE | = | 4250 bar |
| M | = | 25.00 |
| EE | = | 5045 Joule |

Miscellaneous Dimensions

| | | |
|------------------|---|------|
| Fe ¹⁾ | = | 0.15 |
| delta L | = | |

CHAMBER MINI
Lengths

| | | |
|------------------|---|-------|
| L1 ⁺ | = | 59.00 |
| L2 ⁺ | = | 61.50 |
| L3 ¹⁾ | = | 75.00 |

Breech

| | | |
|-----------------|---|-------|
| R ¹⁾ | = | 1.40 |
| R1 | = | 13.40 |
| R2 | = | |
| R3 | = | |
| r | = | |

Powder Chamber

| | | |
|------------------|---|-------|
| E | = | |
| P1 ¹⁾ | = | 11.93 |
| P2 ⁺ | = | 10.43 |

Junction Cone

| | | |
|--------|---|-----------|
| α | = | 10°58'01" |
| S | = | 113.33 |
| r1 max | = | 0.50 |
| r2 | = | 0.50 |

Collar

| | | |
|------------------|---|------|
| H1 ⁺ | = | 9.95 |
| H2 ¹⁾ | = | 9.94 |

Commencement of Rifling

| | | |
|--------------------|---|----------|
| G1 ¹⁾ * | = | 9.33 |
| G ¹⁾ * | = | 26.40 |
| α1 | = | 180° |
| h | = | |
| s | = | |
| i ¹⁾ | = | 0°21'29" |
| w | = | |

Barrel

| | | |
|-------------------|---|------|
| F ¹⁾ * | = | 9.00 |
| Z ¹⁾ | = | 9.28 |

Grooves

| | | |
|---|---|-----------------------|
| b | = | 4.60 |
| N | = | 4 |
| u | = | 360.00 |
| Q | = | 66.32 mm ² |

 Dimensions in << mm >>
 Dimensions and Tolerances for Proof Barrels
 see Appendix CR 1.

 Notes: 1) Check for safety reasons
 * Basic dimensions